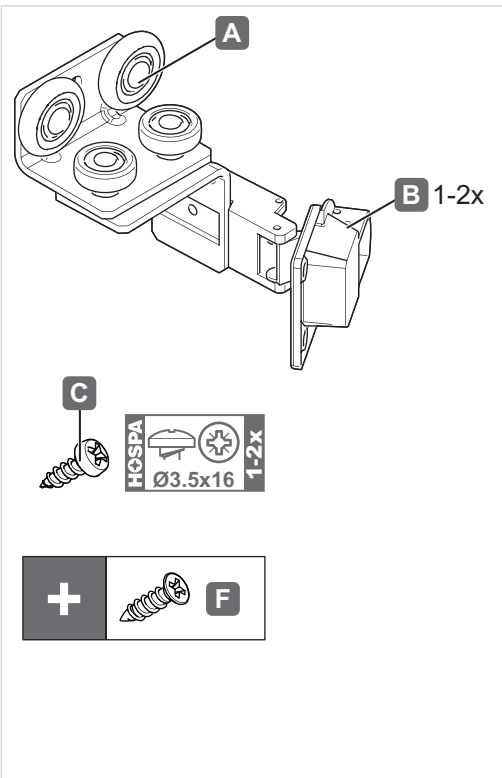
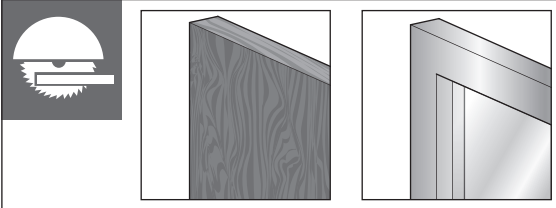
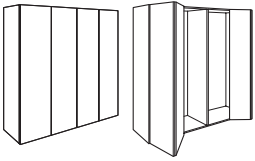


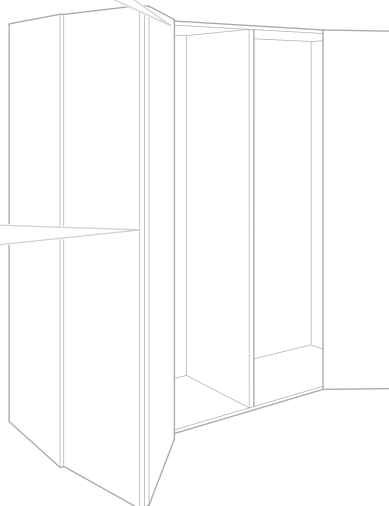
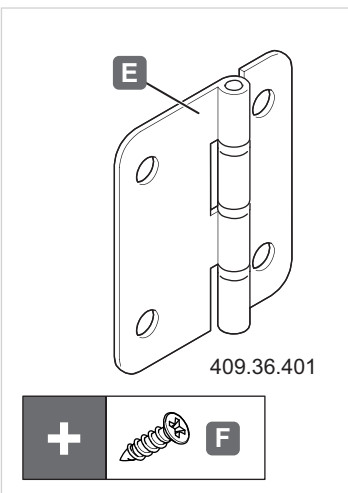


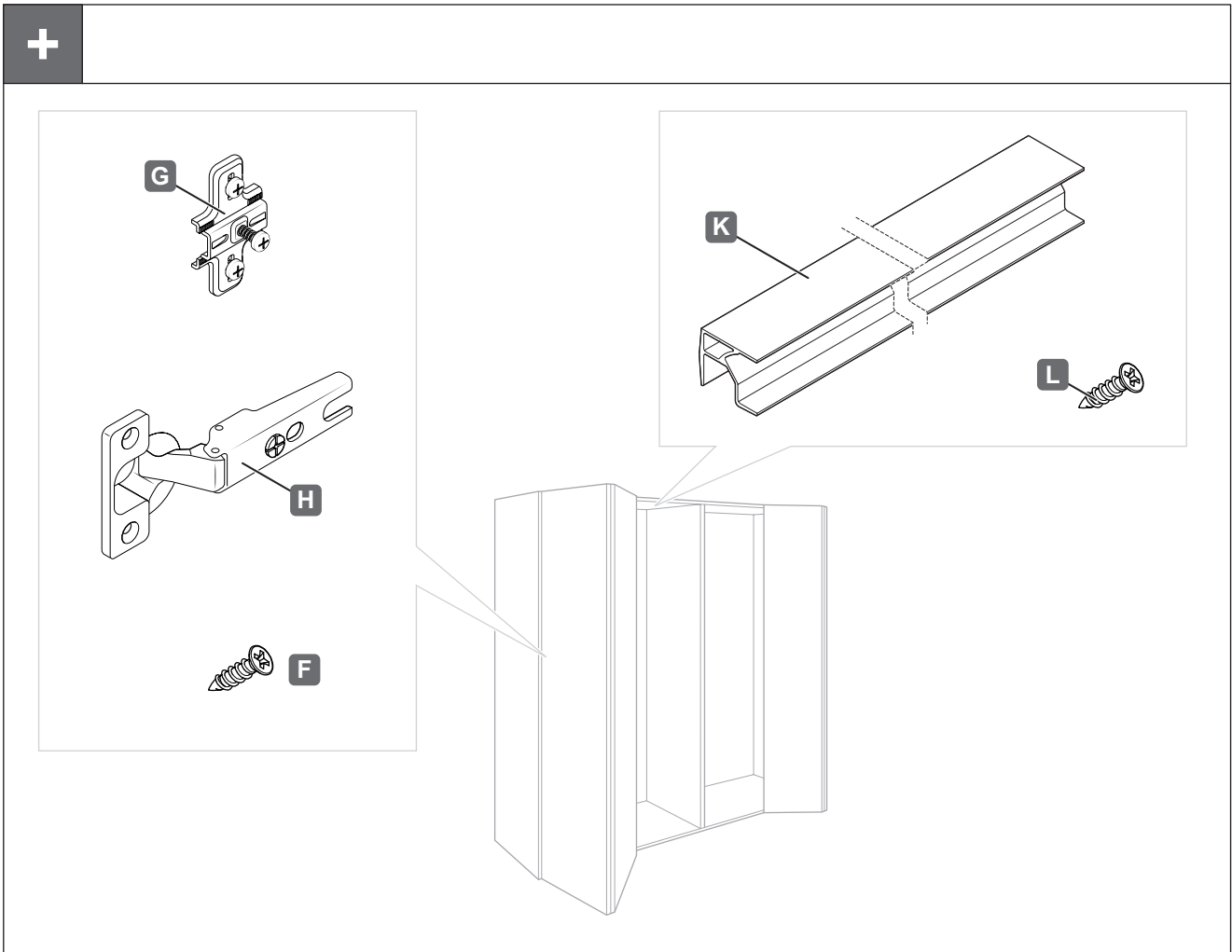
## Slido F-Fold61 25A Slido F-Fold61 50A

409.36.032	409.36.035
409.36.033	409.36.036
409.36.034	409.36.037



kg	B	V	V
<25	<550	409.36.102	409.36.103
<50	<600	409.36.100	409.36.101



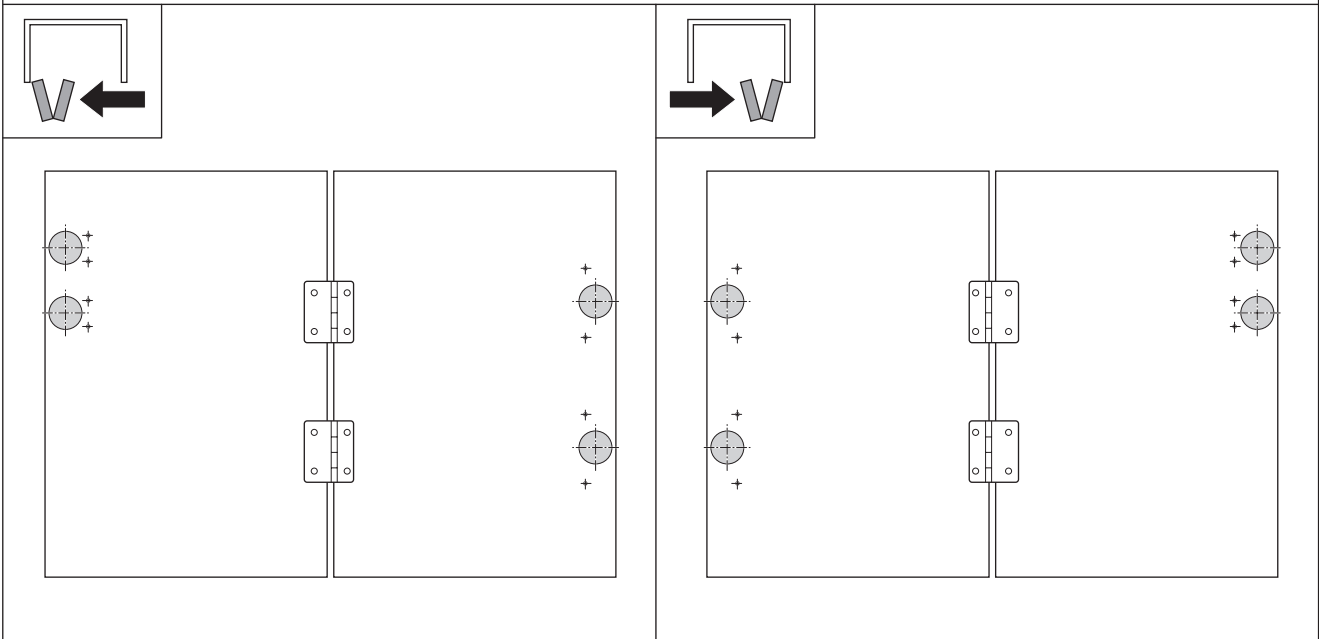
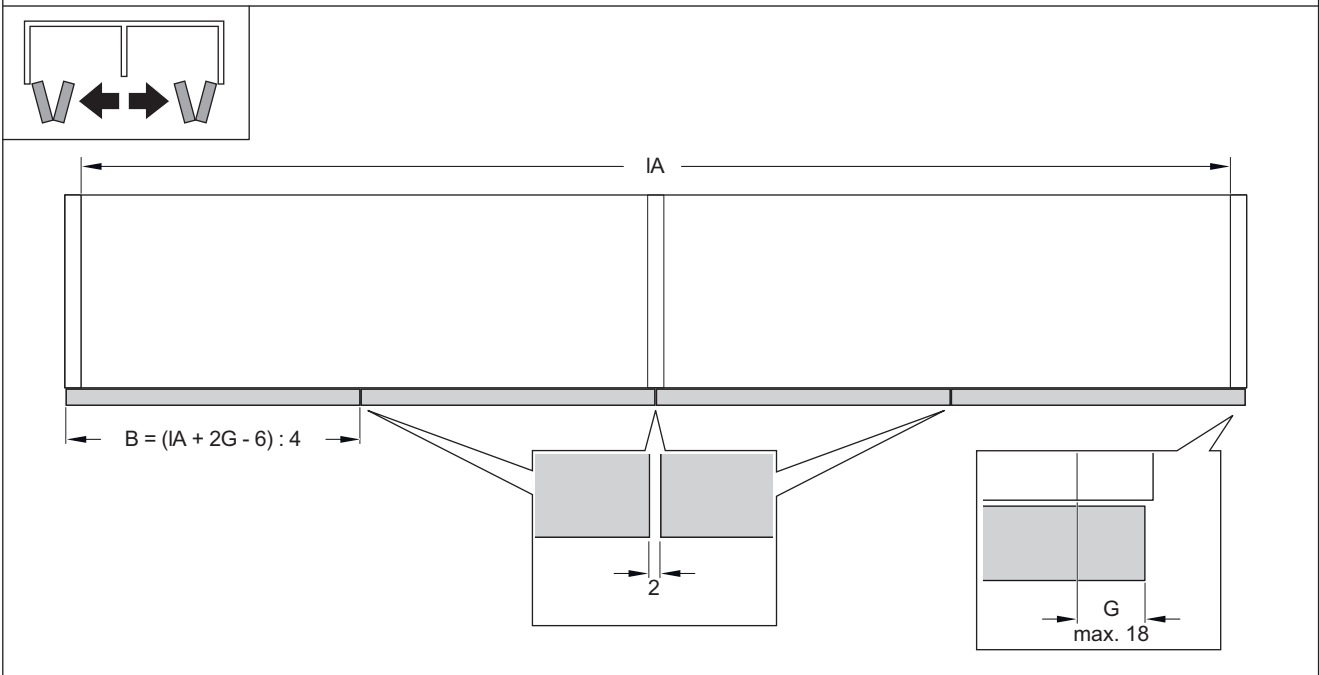
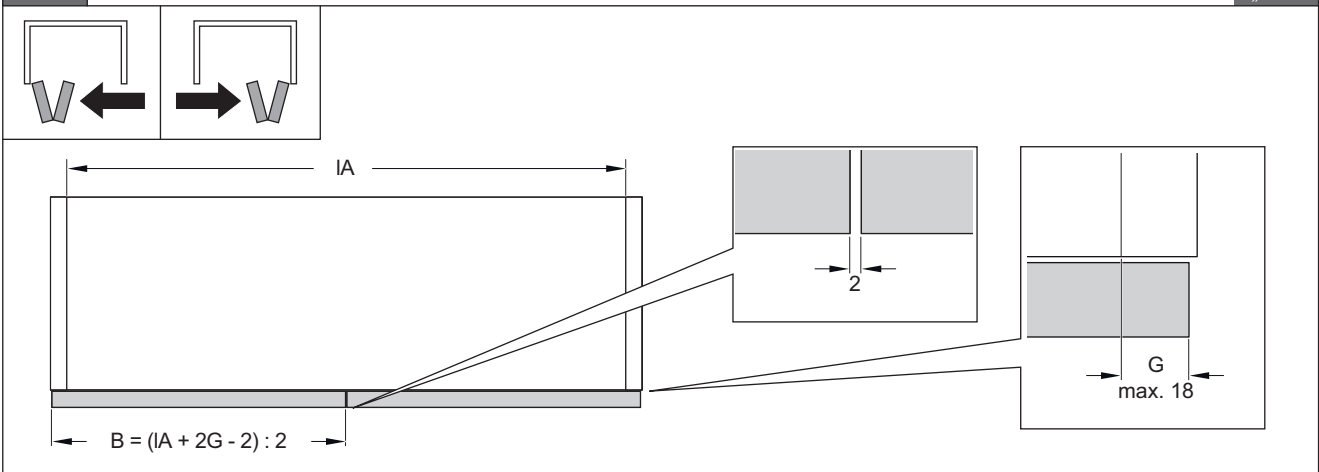


732.24.126

	<b>A</b> ← 25kg	<b>A</b> → 25kg	<b>A</b> ← 50kg	<b>A</b> → 50kg	<b>B</b>	<b>E</b>	
409.36.032	1x				1x	4x	
409.36.033		1x			1x	4x	
409.36.034			1x		2x	4x	
409.36.035				1x	2x	4x	
409.36.036	1x	1x			2x	8x	
409.36.037			1x	1x	4x	8x	

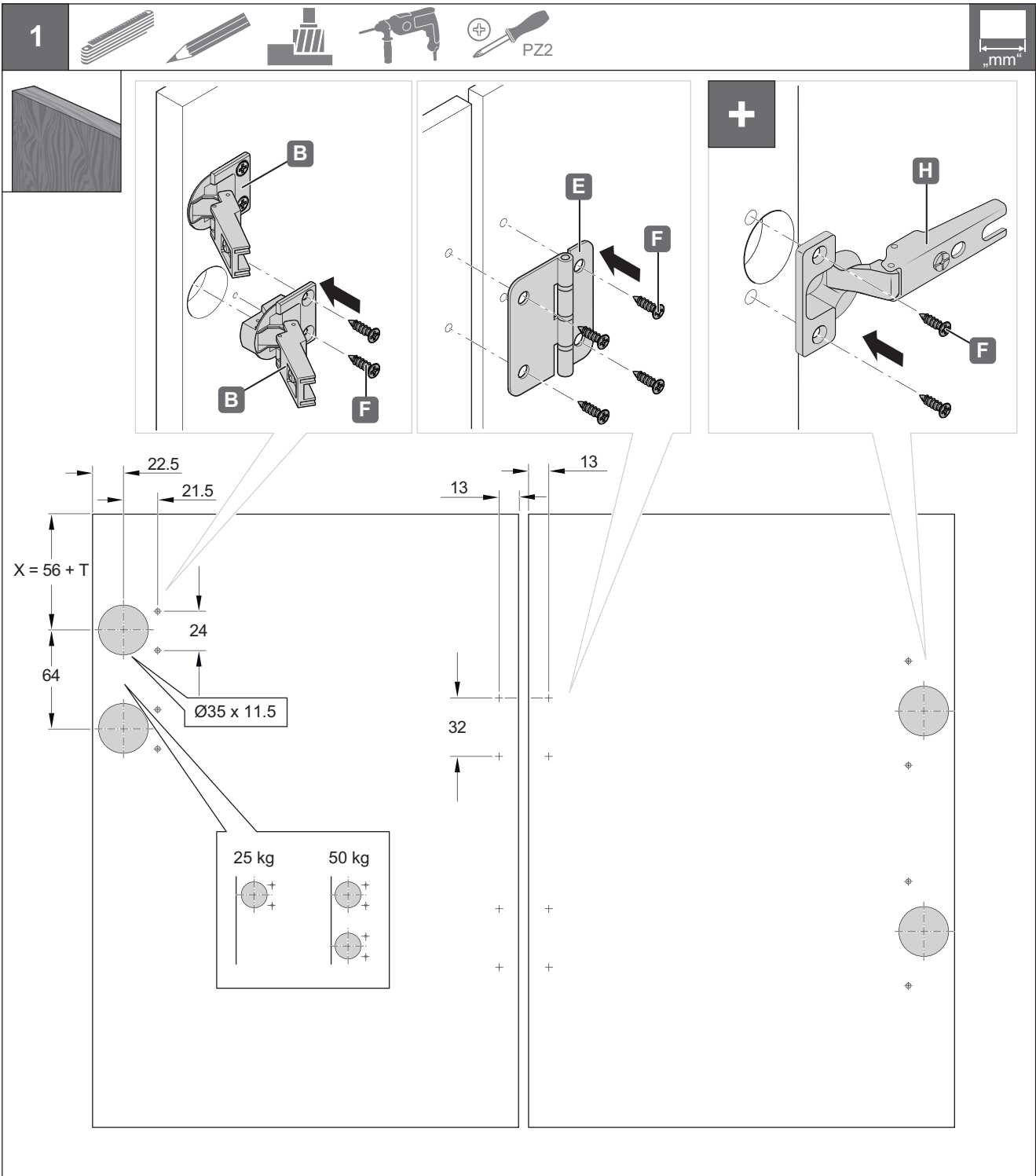
i

„mm“



732.24.126

HDE 19.09.2022

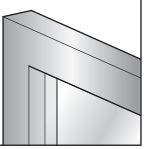


732.24.126

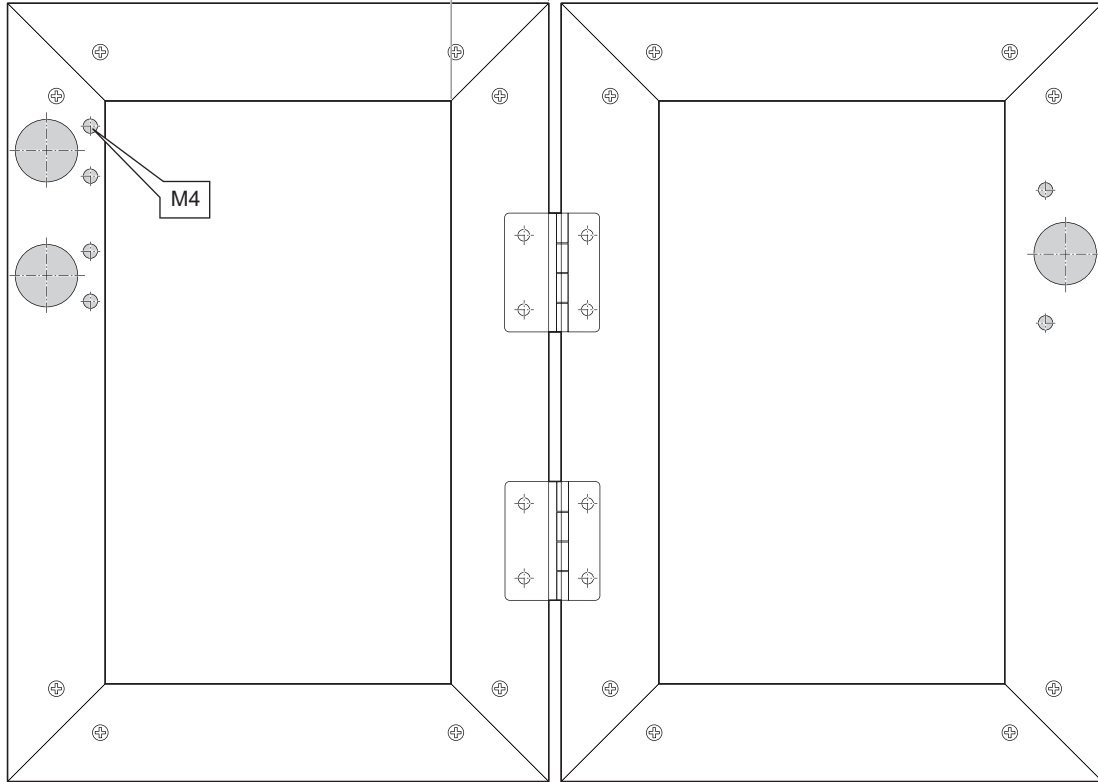
HDE 19.09.2022

**i**

„mm“

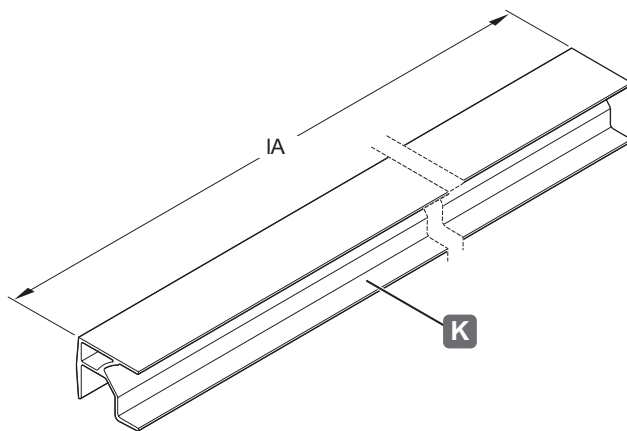


min. 50



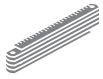
732.24.126

**2**



HDE 19.09.2022

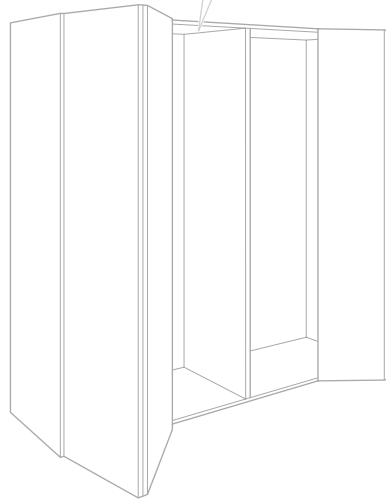
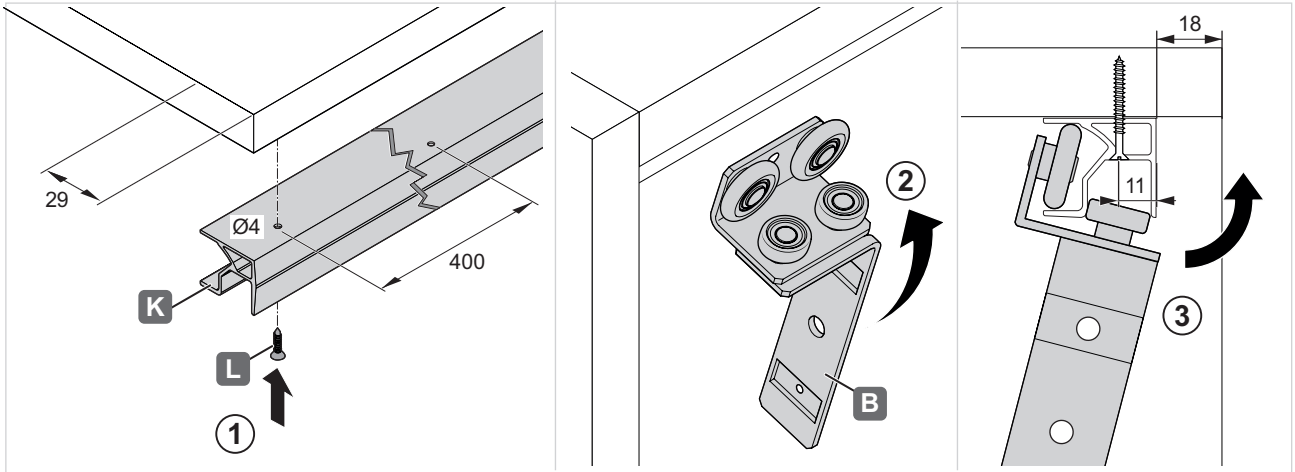
3



PZ2



„mm“



4

